

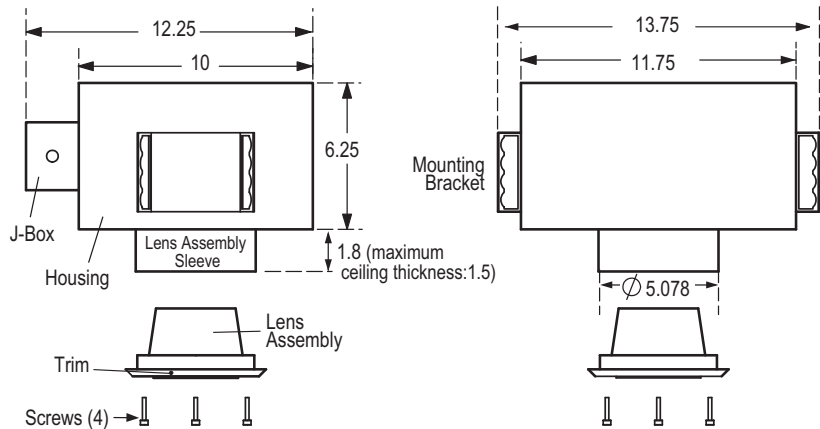
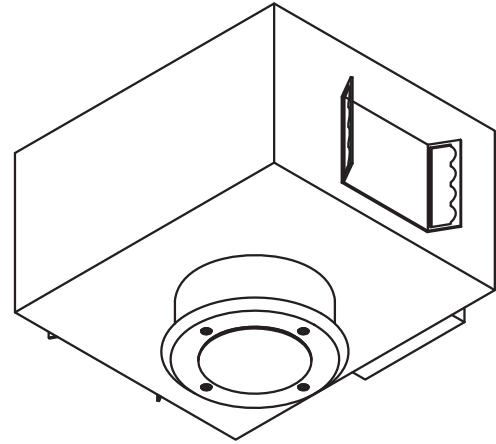
INSTALLATION INSTRUCTIONS

IMPORTANT NOTES:

- The Mr.Steam® recessed light is for ceiling mount only.
- Read all instructions before starting installation. Keep instructions for future reference.
- Install the Recessed light in accordance with National and local electrical codes.
- A wall switch, or dimmer switch, must be used to turn the recessed light on and off.

⚠️ WARNINGS:

- Installation to be performed by a qualified and licensed electrician. The Recessed light operates on 120 volts.
- Do not install the wall switch in the steam room. The switch must be installed in a location and manner described in the NEC and local electric codes.
- Ensure that the power is not supplied to the field wiring during installation, turn off power at the breaker panel, or remove the fuse at the fuse box.



Warranty: To view or download the Mr.Steam® warranty and register your product go to: blog.mrsteam.com/wr

All drawings are for illustrative purposes only (all dimensions in inches).

IMPORTANT NOTE: As you follow these instructions, you will notice warning and caution symbols. This information is important for the safe and efficient installation and operation of this light. These are types of potential hazards that may occur during this installation and operation:

⚠️ WARNING states a hazard which may cause serious injury or death if precautions are not followed.

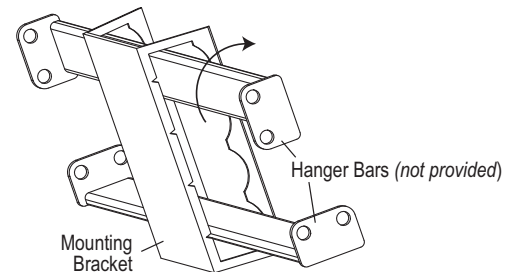
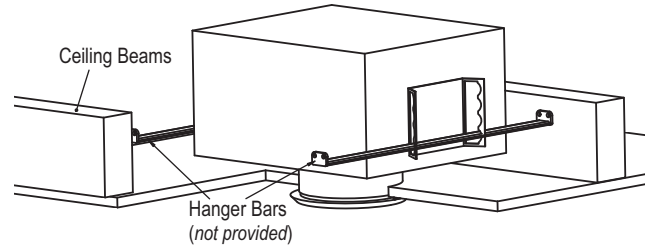
⚠️ CAUTION signals a situation where minor injury or product damage may occur if you do not follow instructions.



INSTALLATION INSTRUCTIONS

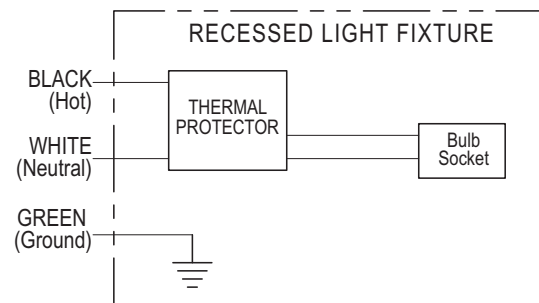
INSTALLATION:

1. The lighting fixture comes fully assembled. Do not disassemble except as shown for installation.
2. A 5 ¼" diameter hole is required in the finished ceiling for the recessed light.
3. The recessed light is suitable for a maximum ceiling thickness of 1 ½".
4. Insert hanger bars (not provided) into the mounting brackets and rotate to lock them into the grooves as shown.
5. Secure the housing to the ceiling beams as required so the bottom of the lens assembly sleeve is flush with the finished face of the ceiling.
6. Affix the hanger bars to a sturdy surface such as a joist or cross beam. It is the contractor's responsibility to supply proper mounting based on job condition.
7. Utilize the conduit entries on the sides of the J-box for wiring. CONNECT GREEN WIRE TO "GROUND", CONNECT BLACK FIXTURE TO BLACK BUILDING WIRE AND CONNECT WHITE FIXTURE WIRE TO WHITE BUILDING WIRE as shown in wiring diagram. All connections should be contained inside the junction box.



IMPORTANT NOTE: In older buildings it is always good practice to confirm the wiring polarity.

8. Install the 75W PAR30L Halogen Bulb included in the kit by screwing it into the socket while the power is turned off.
9. Apply a bead of silicone around the outer edge of the lens before being lifted into place. Apply silicone as required for a 360 degree moisture seal.
10. Affix the lens assembly with reflector to housing using the 4 allen head screws provided.



Wiring Diagram

BULB REPLACEMENT:

1. Turn power to the lighting fixture off.
2. Use only a 75w PAR30L Halogen bulb for replacement purposes.
3. Remove the lens assembly with reflector to access the bulb
4. Once the new bulb is replaced apply new silicone and follow installation steps 9 and 10 to reconnect the lens assembly.

All drawings are for illustrative purposes only